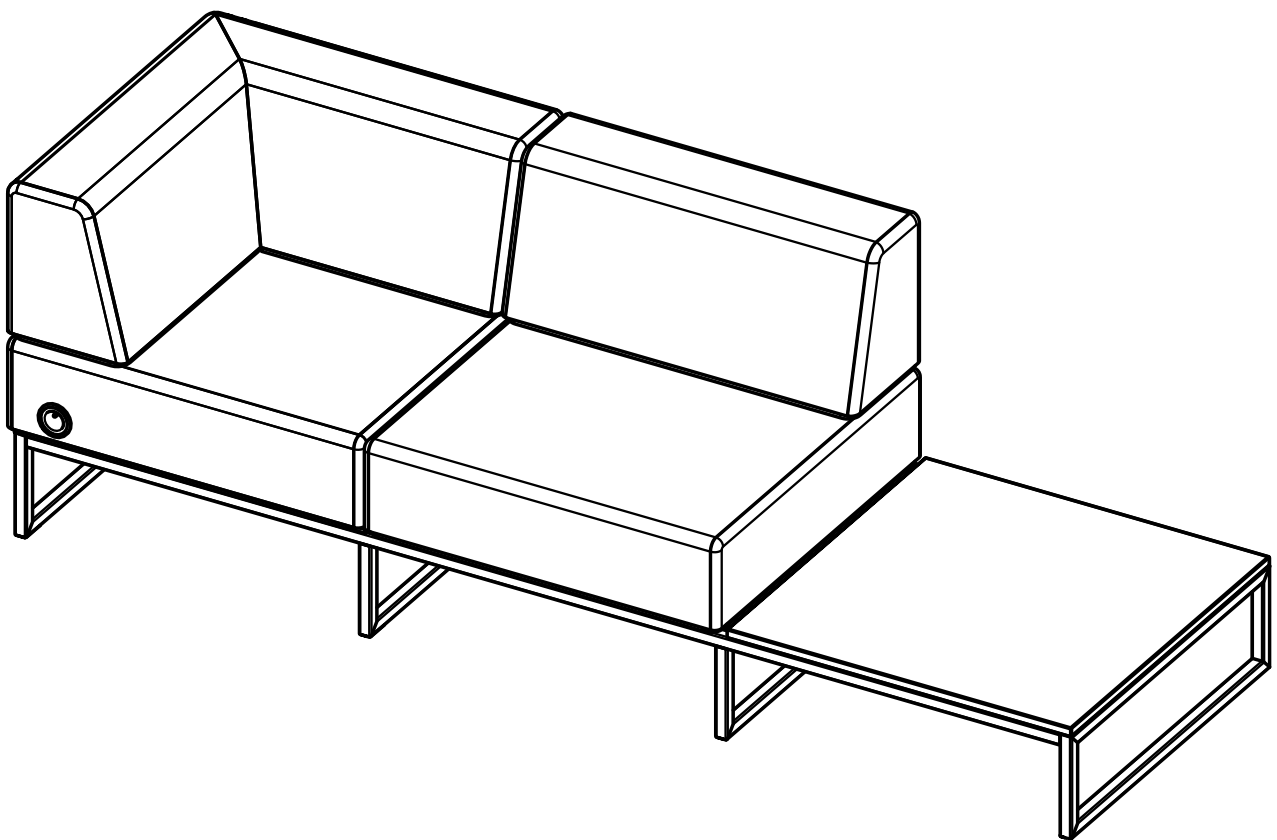


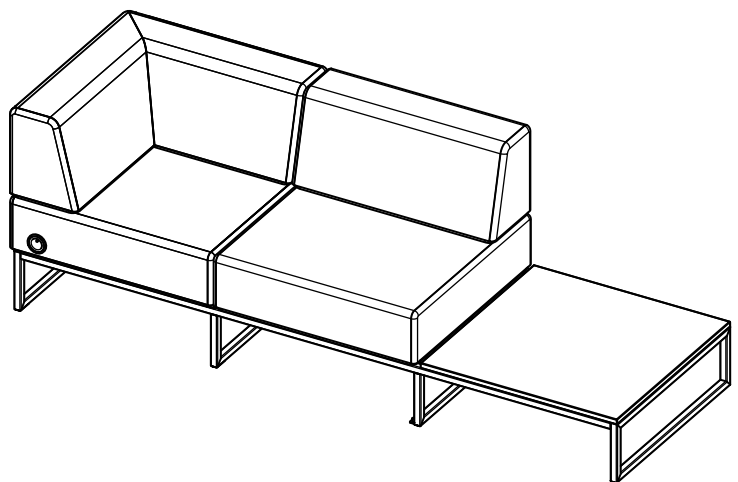
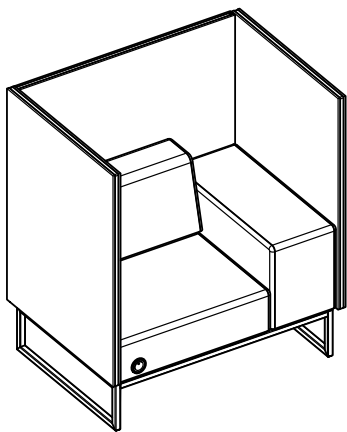
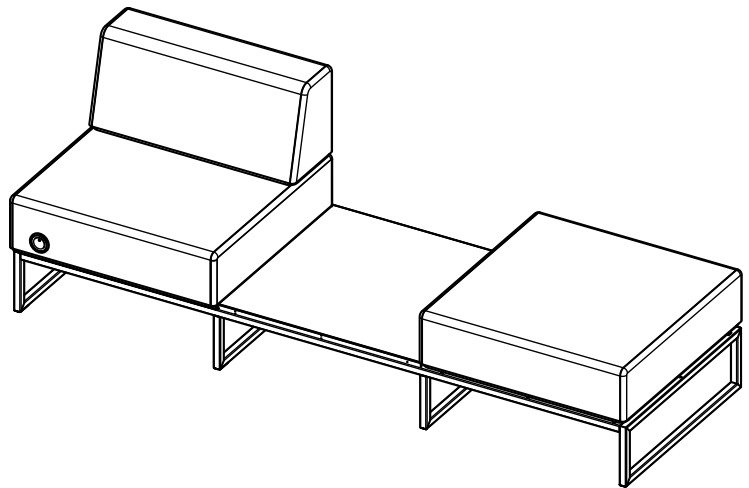
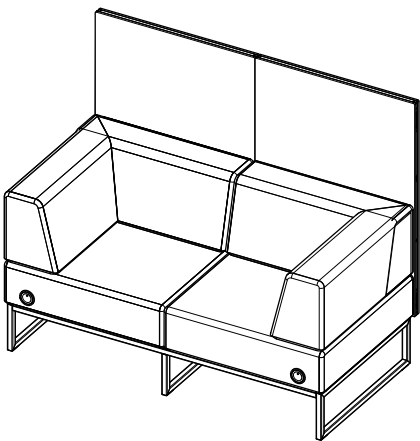
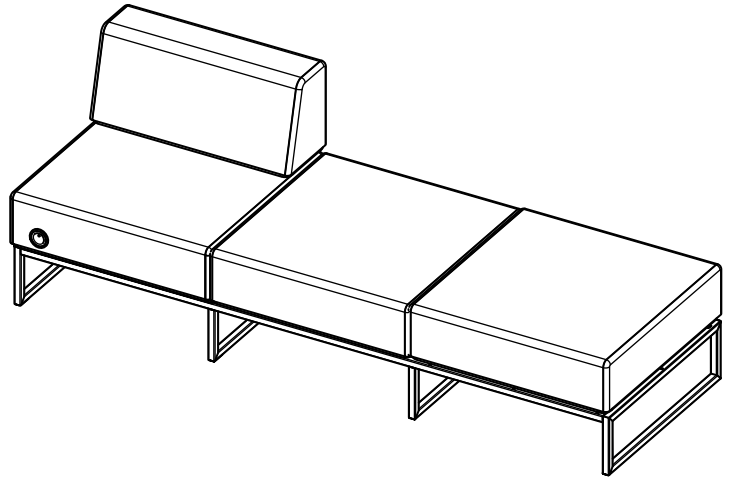
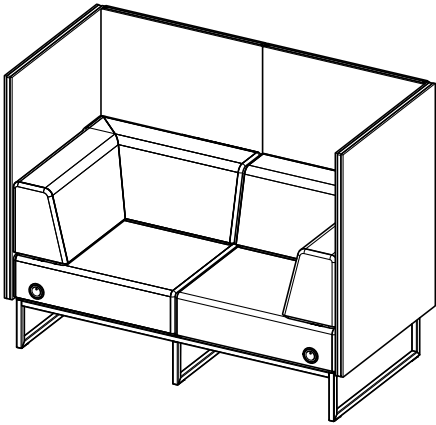
plint

installation manual

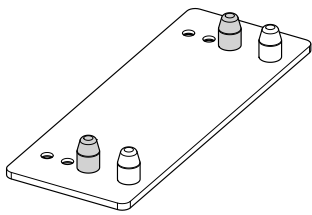
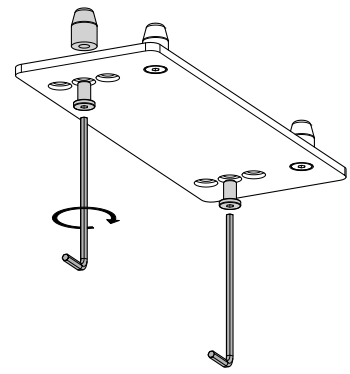
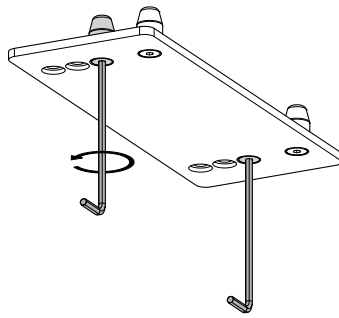
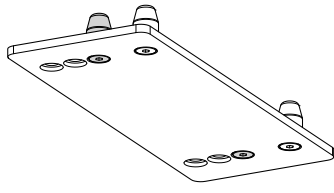


bejot:

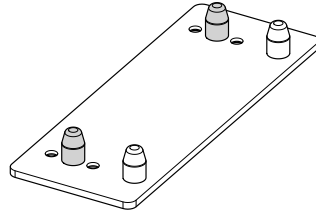
examples of configuration



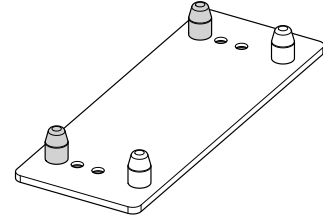
connectors



A



B



C

table + table

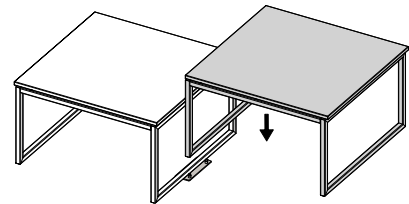
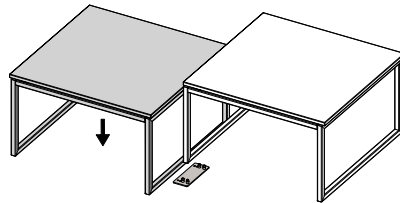
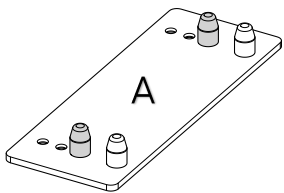
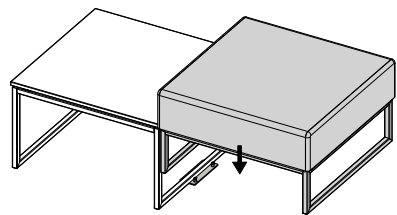
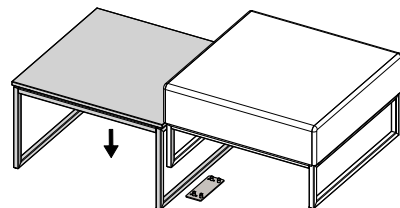
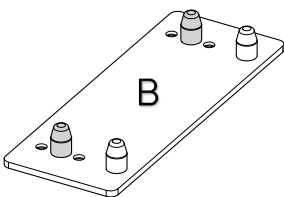
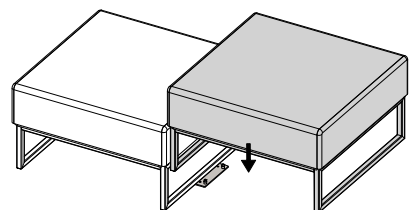
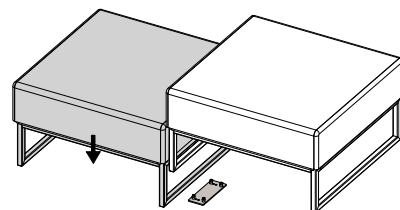
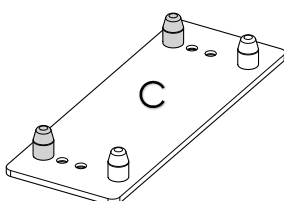


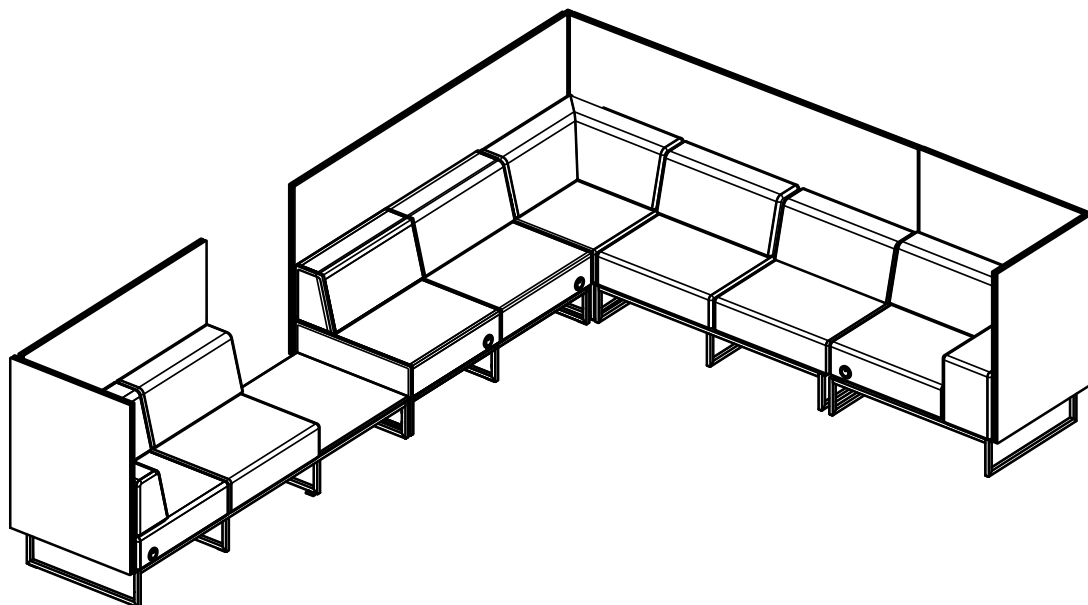
table + sofa



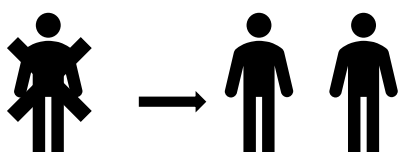
sofa + sofa



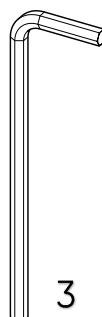
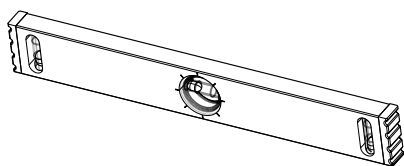
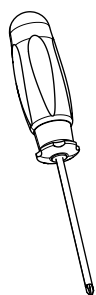
installation manual



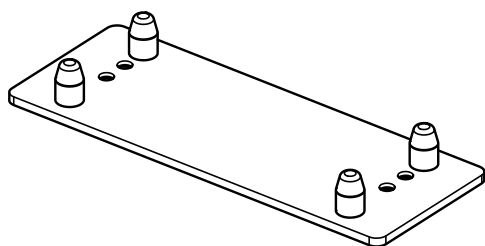
people



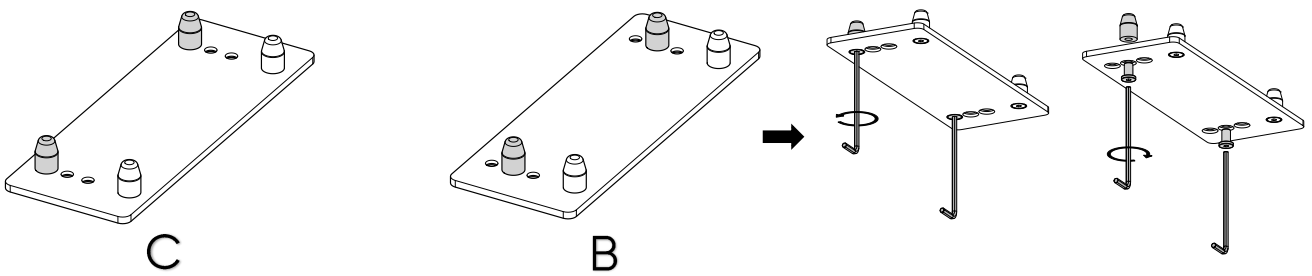
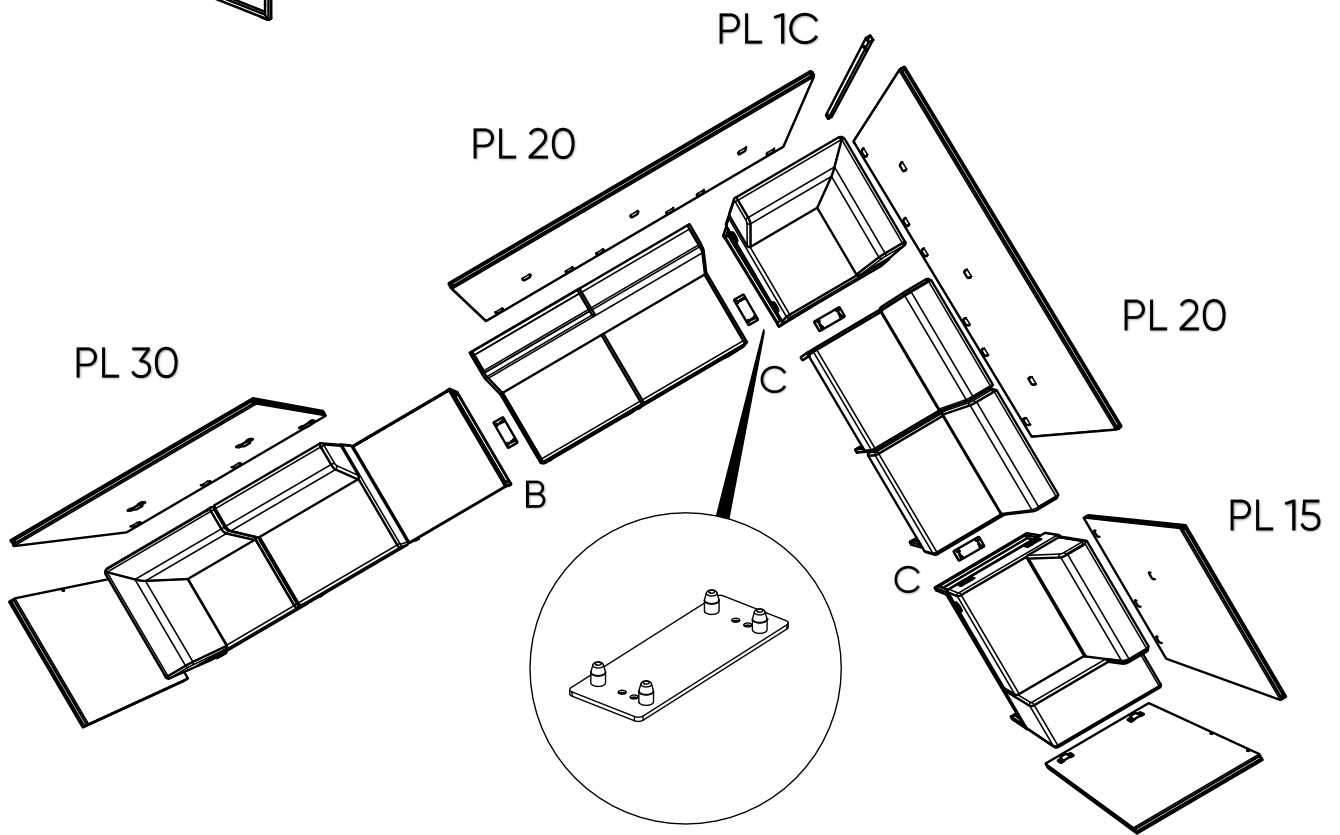
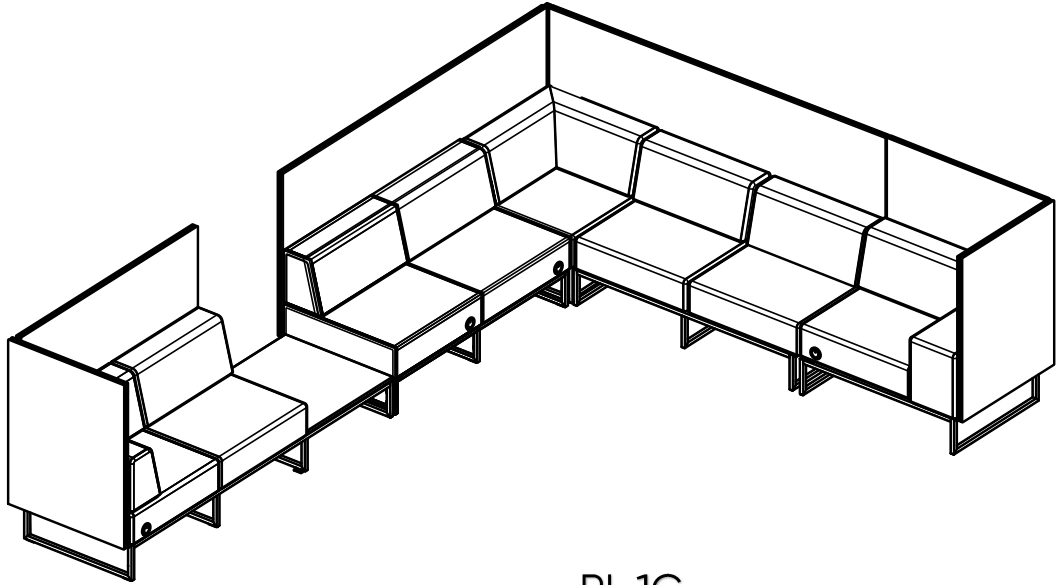
additional tools



attached

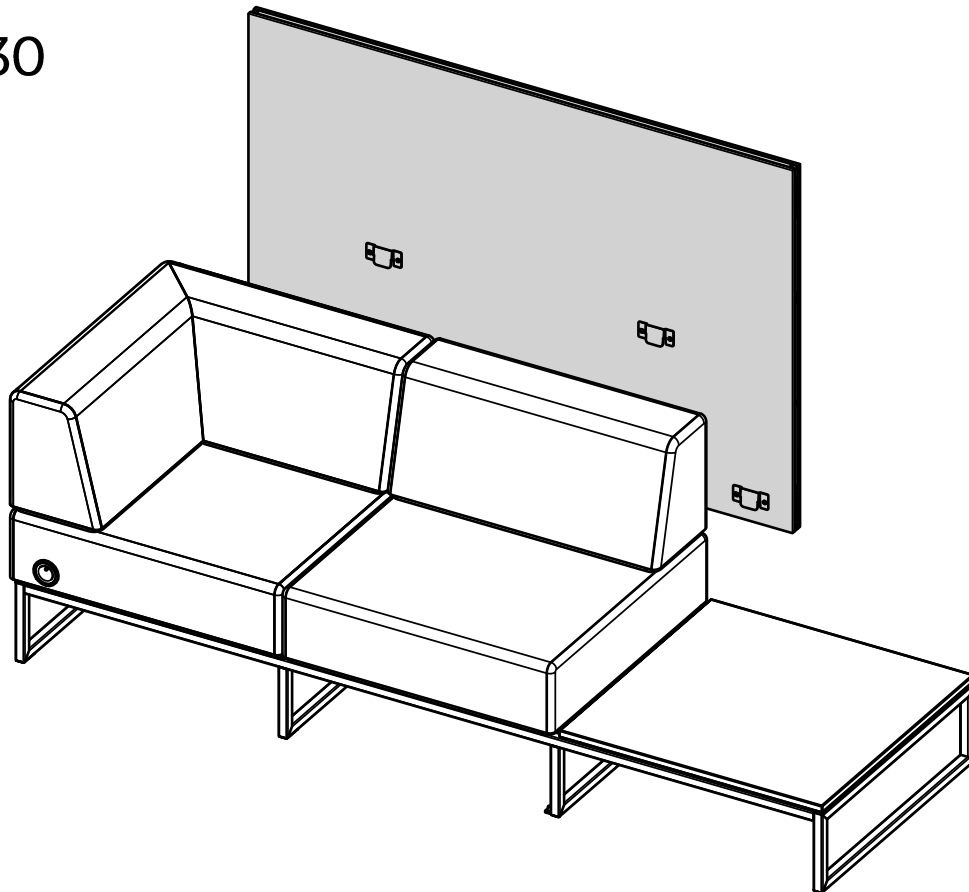


1

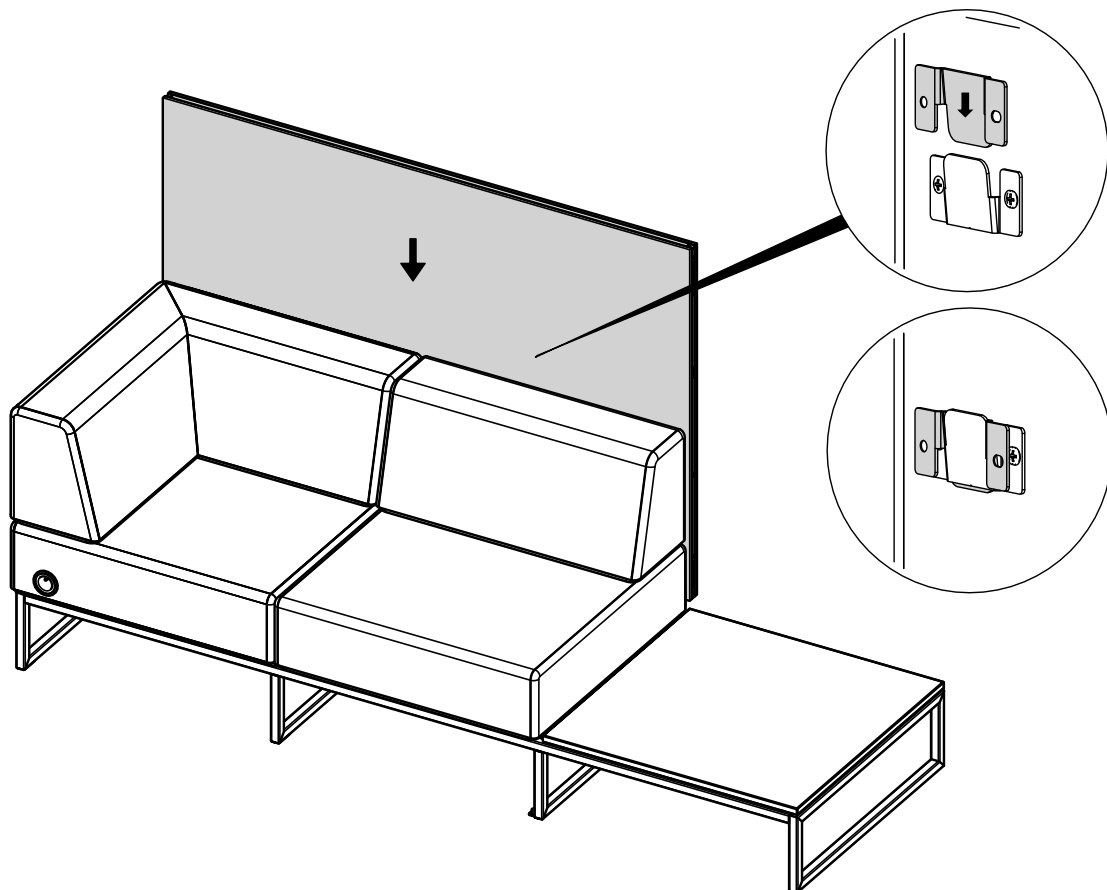


2

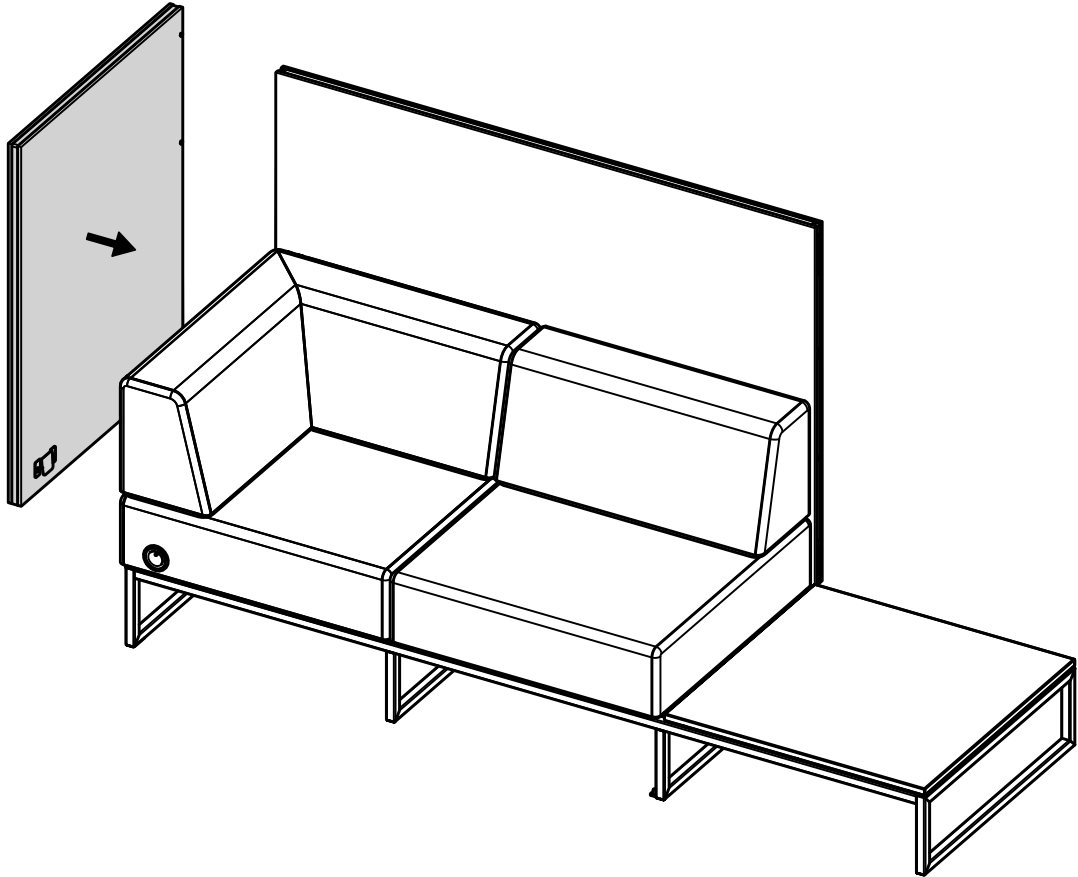
PL 30



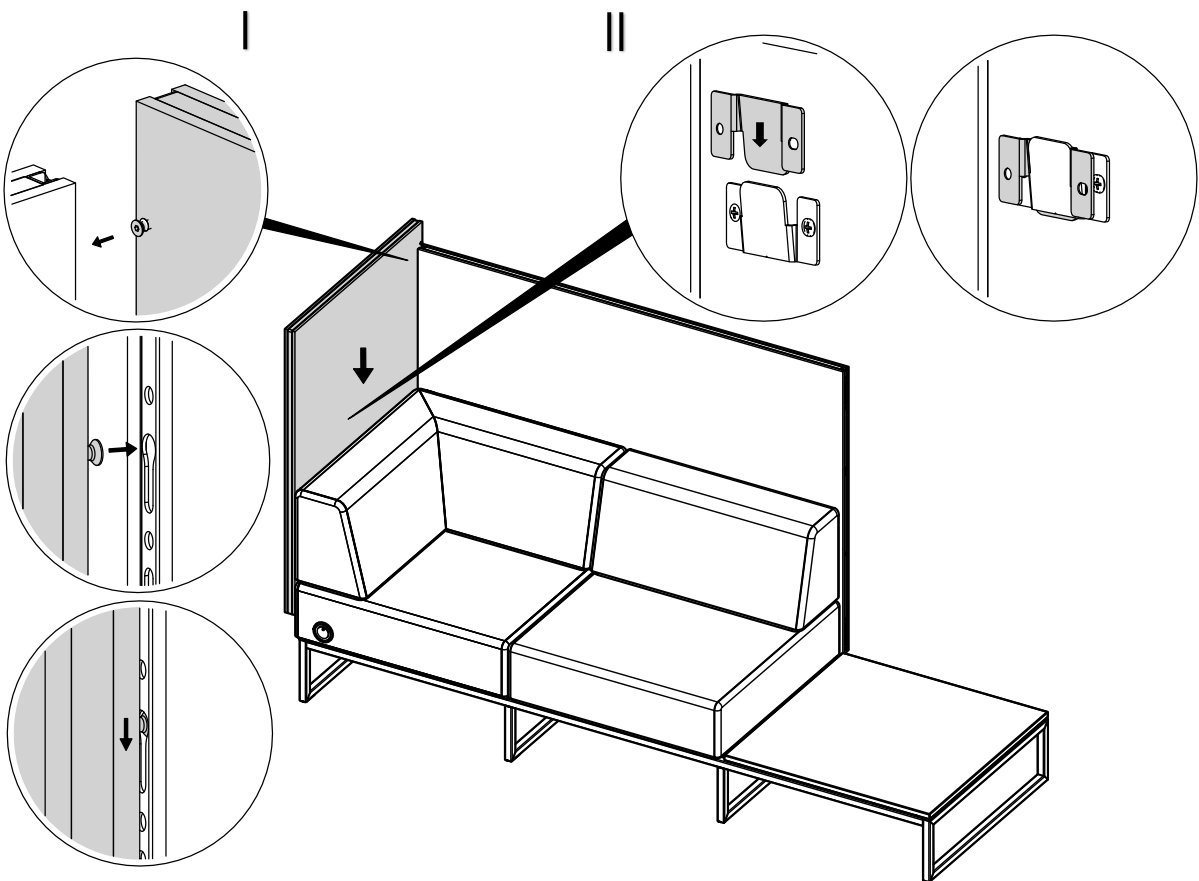
3



4

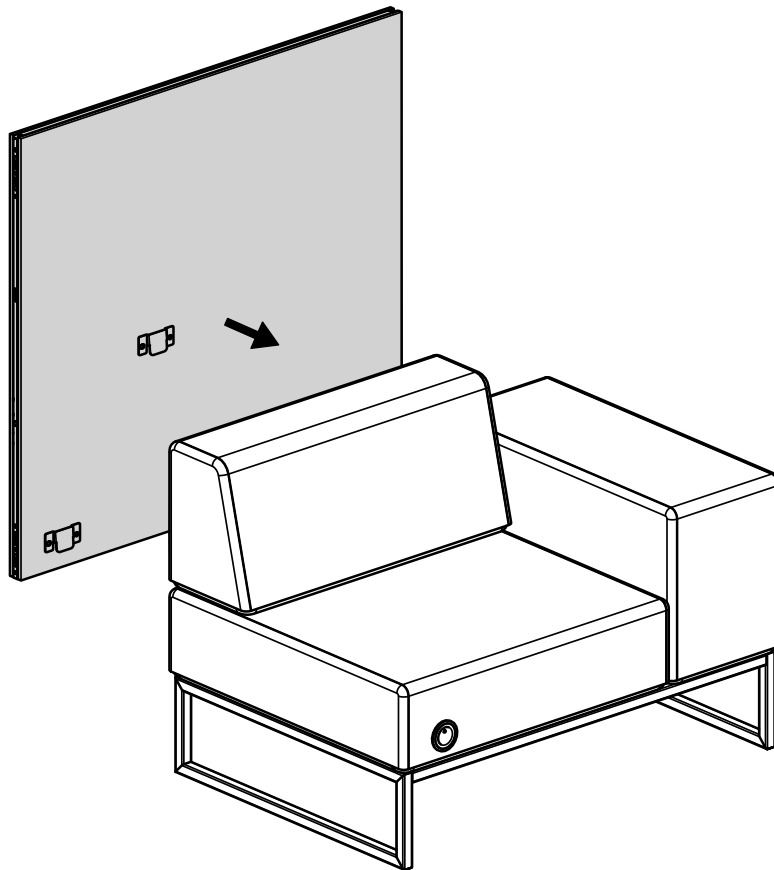


5

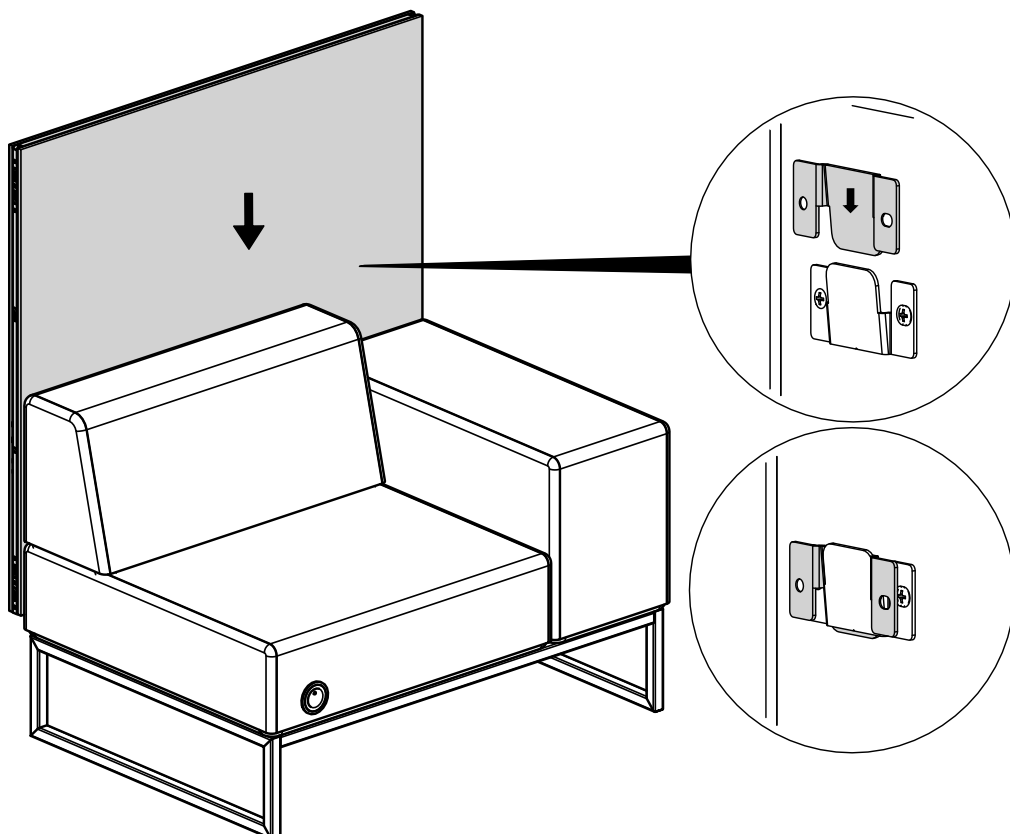


6

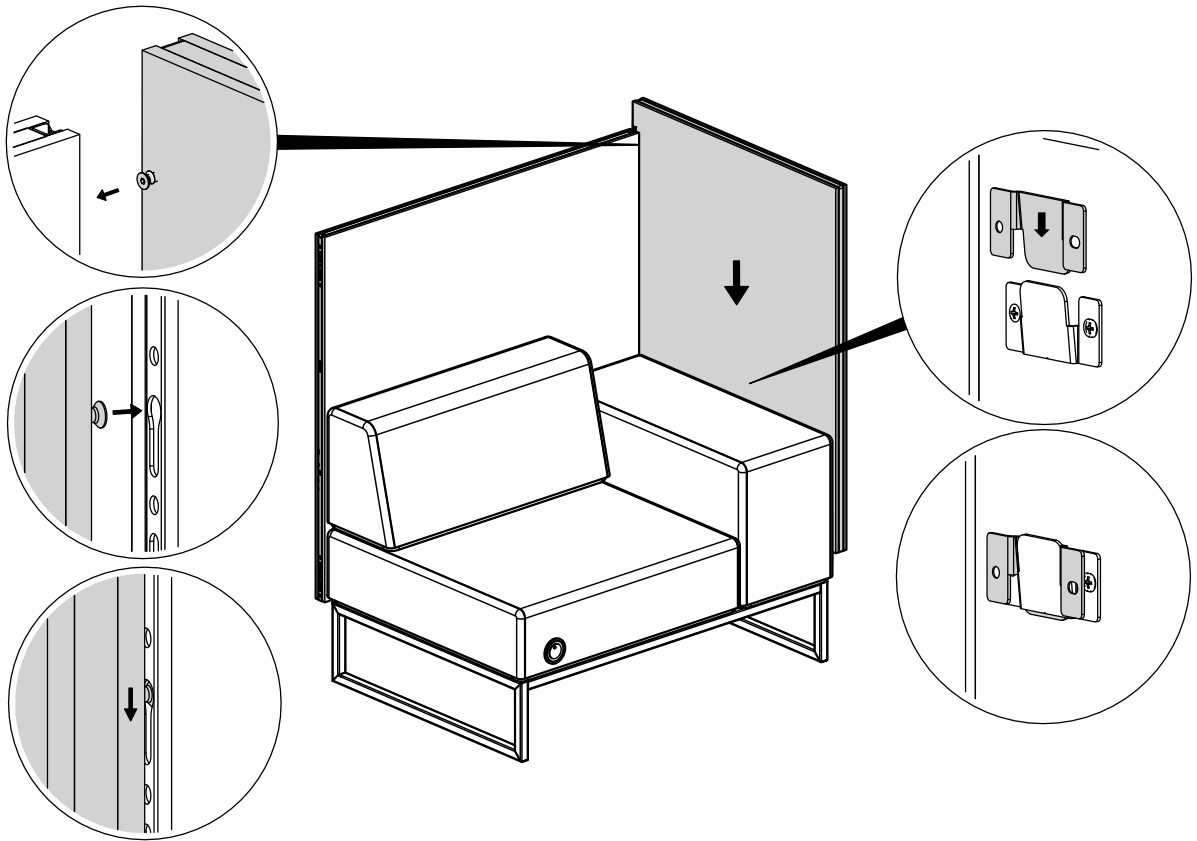
PL 15



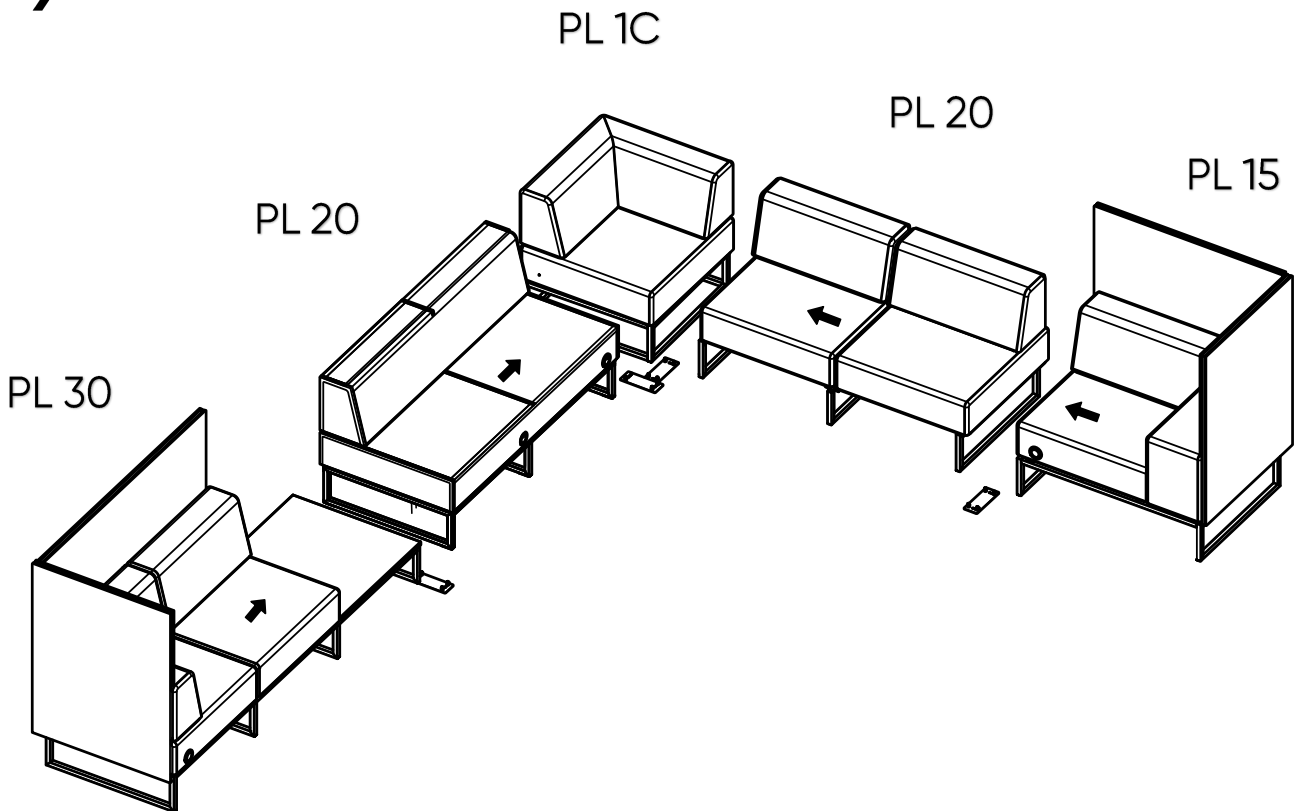
7



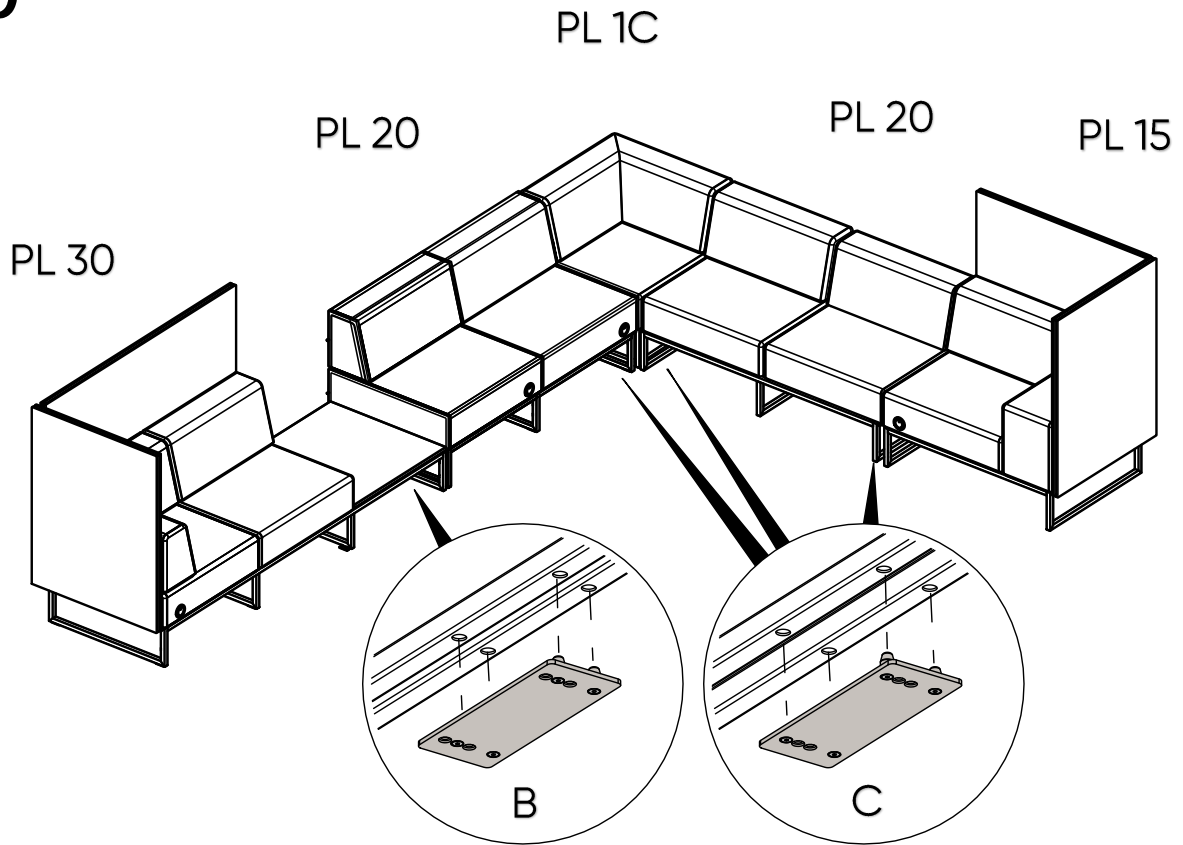
8



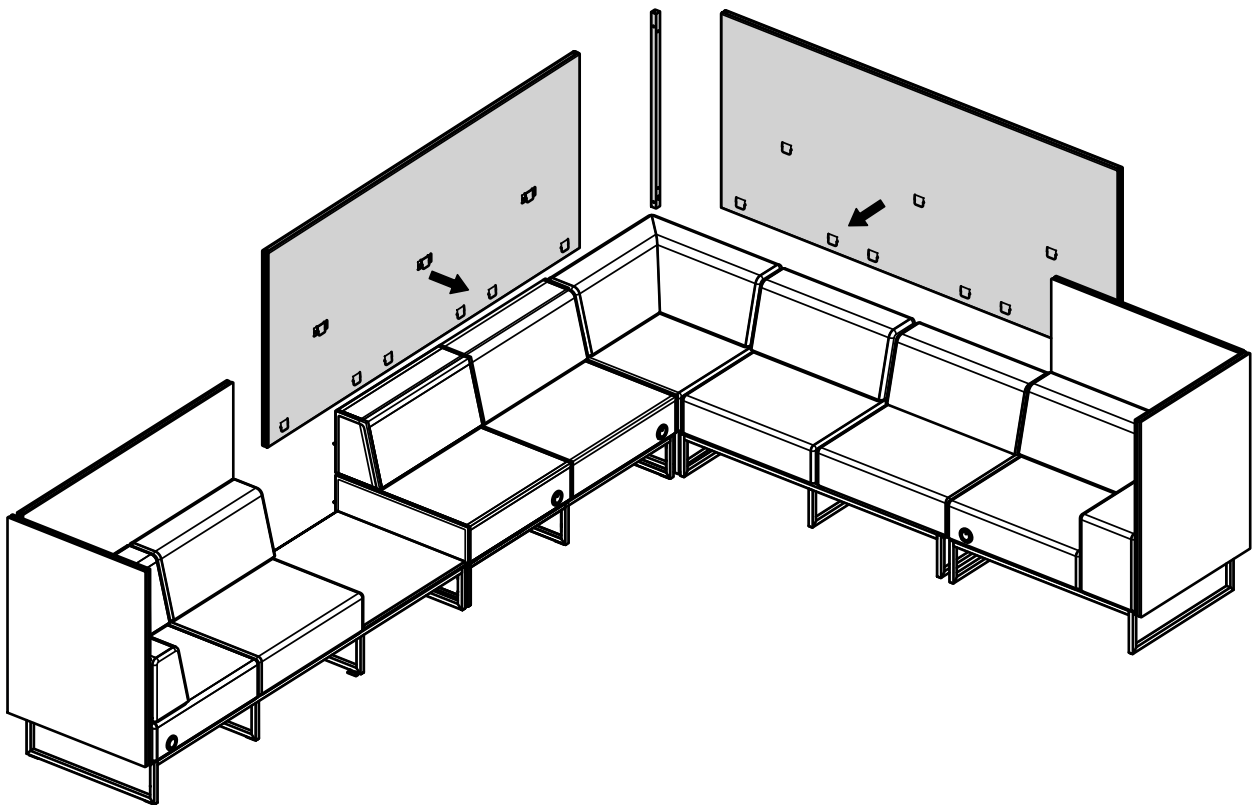
9

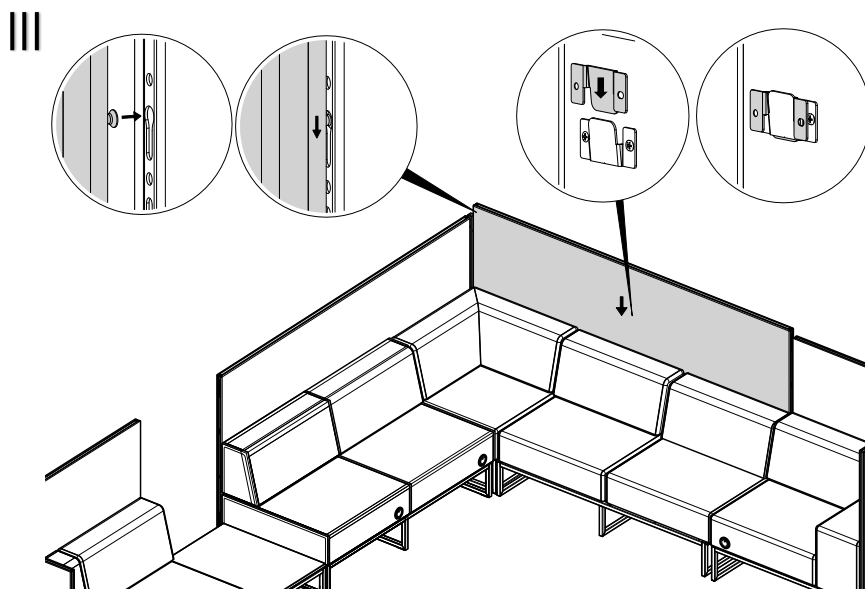
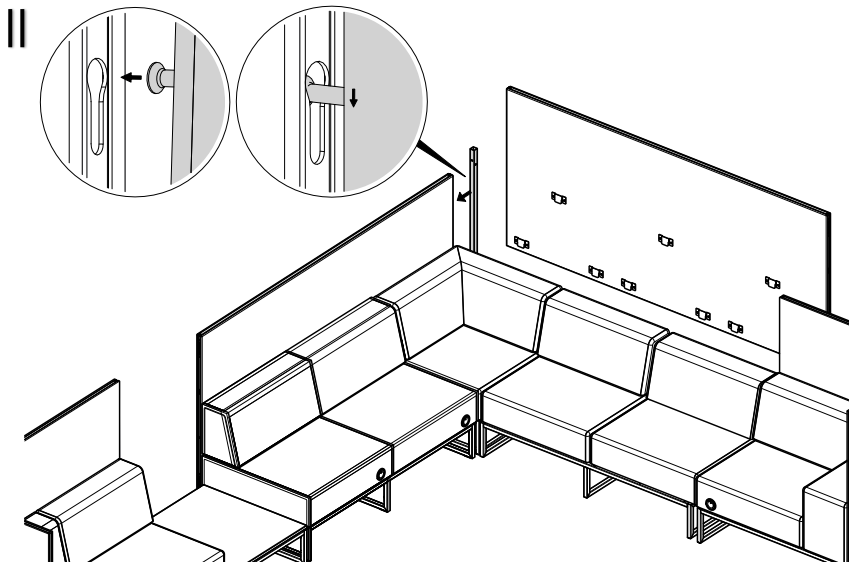
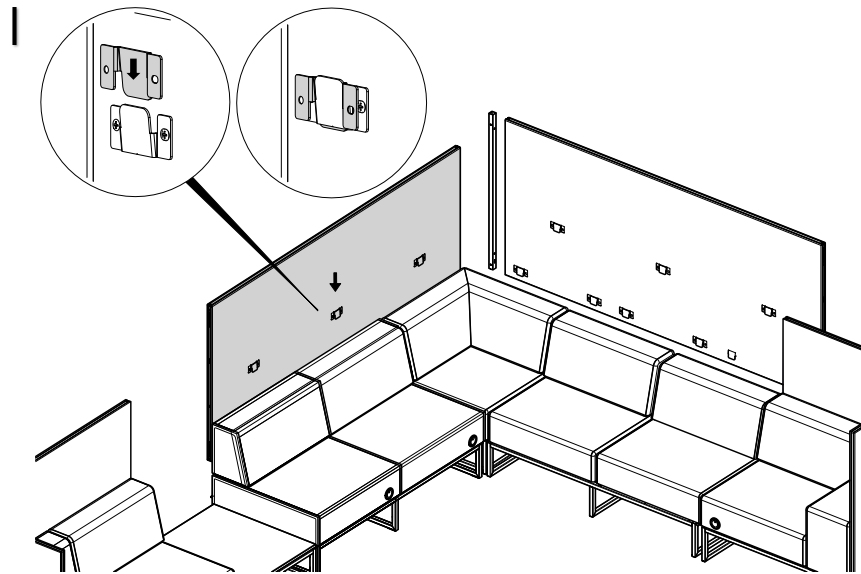


10



11





Bejot Sp. z o. o.

ul. Wybickiego 2A, Manieczki, 63-112 Brodnica n. Poznania, POLAND

tel.: +48 (61) 281 22 25, e-mail: biuro@bejot.eu

www.bejot.eu

edition 01/2022